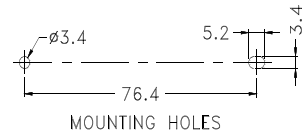
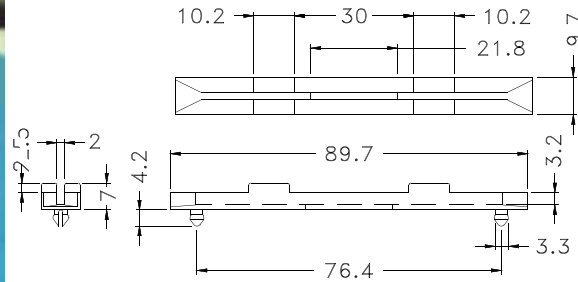
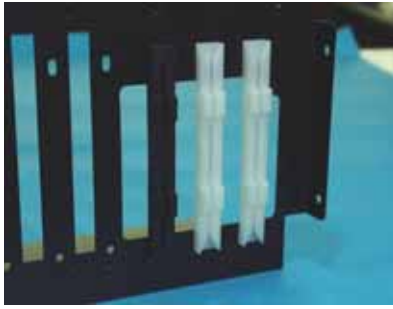


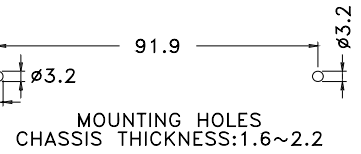
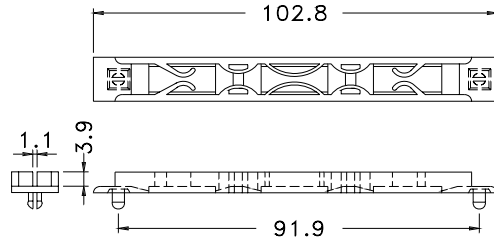
Plastic Fastener - Card Guide & Puller

Hankook Fastener

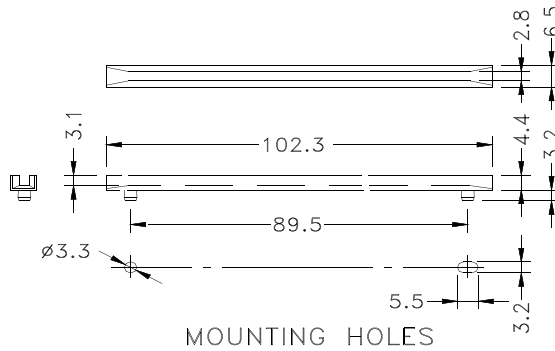
- ◆ MATERIAL: NYLON 66(UL)
- ◆ FLAME CLASS: 94V-2
- ◆ COLOR: NATURAL/BLACK
- ◆ UNIT: mm



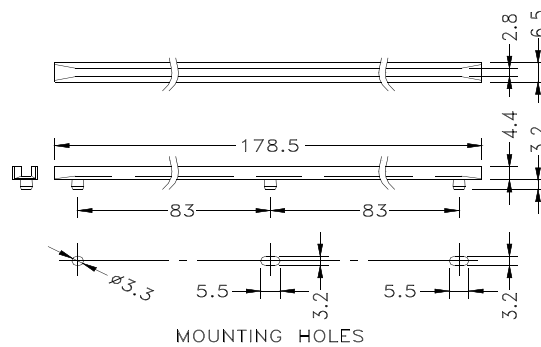
PART NO	PACKAGE
CG-9AL	250



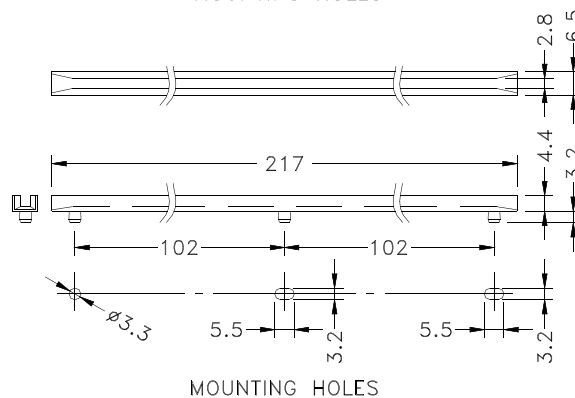
PART NO	PACKAGE
CG-10A	250



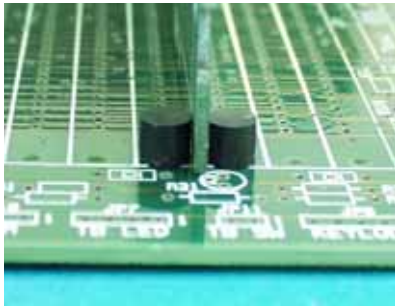
PART NO	PACKAGE
CGA-102	250



PART NO	PACKAGE
CGA-178	250

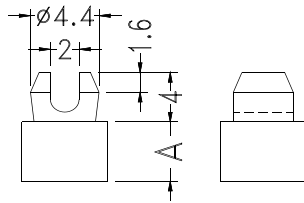


PART NO	PACKAGE
CGA-217	250

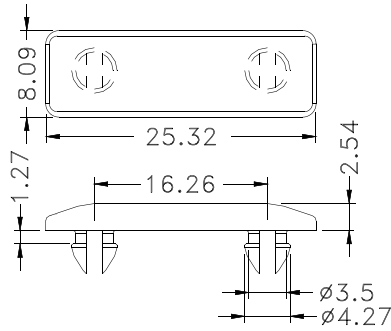


HOLE IN CHASSIS: $\phi 4.3$
BOARD THICKNESS: 1.2~2.3

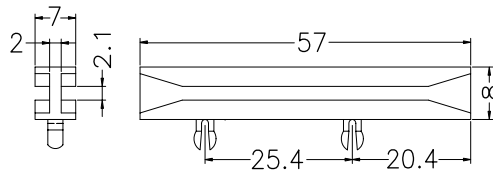
- ◆ MATERIAL: NYLON 66(UL)
- ◆ FLAME CLASS: 94V-2
- ◆ COLOR: NATURAL/BLACK
- ◆ UNIT: mm



PART NO	A	PACKAGE
★ CGB-2	2.0	2000
CGB-6	4.8	

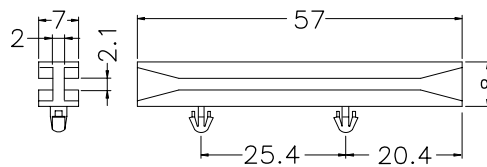


PART NO	PACKAGE
INTEC-1	500



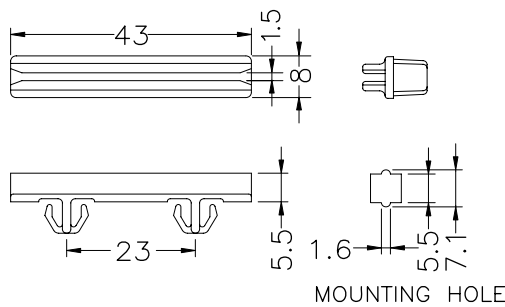
CHASSIS $\phi 3.0$
THICKNESS 1.8

PART NO	PACKAGE
CGDLB-57	500



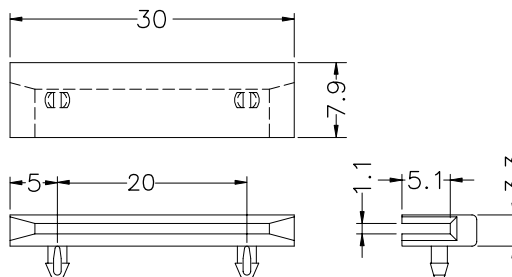
CHASSIS $\phi 3.0$
THICKNESS 1.8

PART NO	PACKAGE
CGDLA-57	500



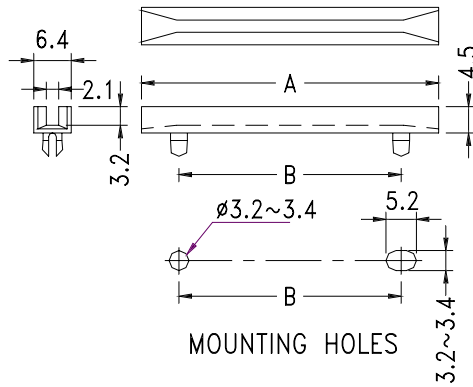
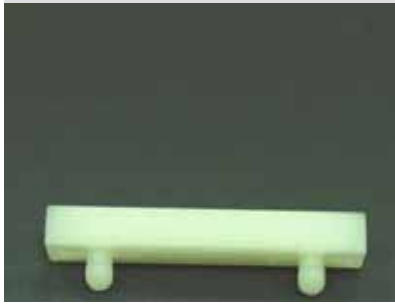
MOUNTING HOLE

PART NO	PACKAGE
CGC-43	500



P.C.B $\phi 2.0$
THICKNESS 1.6

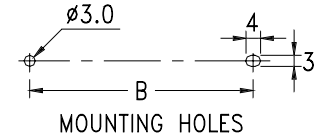
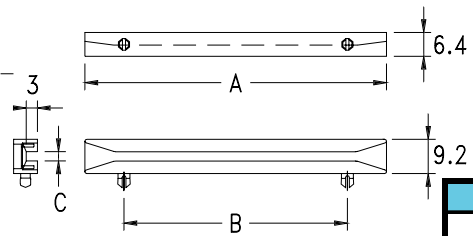
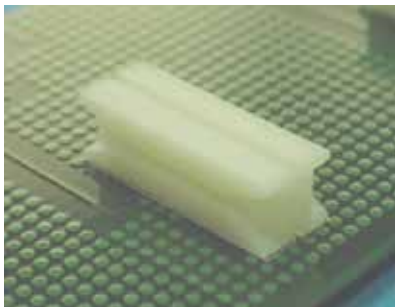
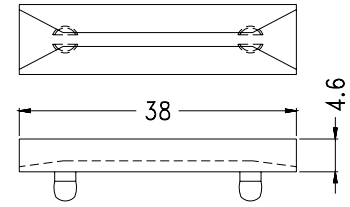
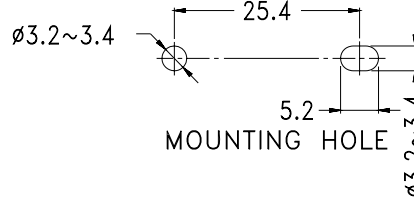
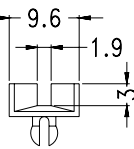
PART NO	PACKAGE
CGLC-30	500



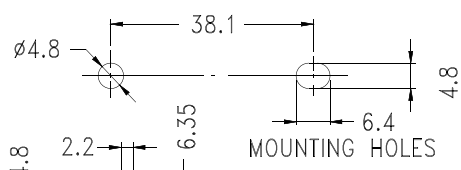
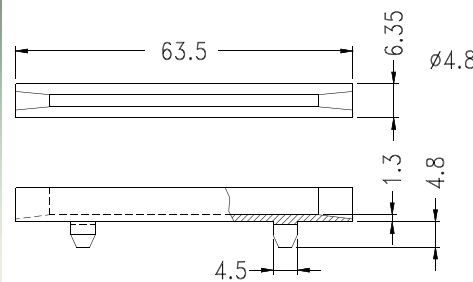
- ◆ MATERIAL: NYLON 66 (UL)
- ◆ FLAME CLASS: 94V-2
- ◆ COLOR: NATURAL
- ◆ UNIT: mm

PART NO	A	B	PACKAGE
CG-38	38.0	25.4	500
CG-50	50.8	38.0	

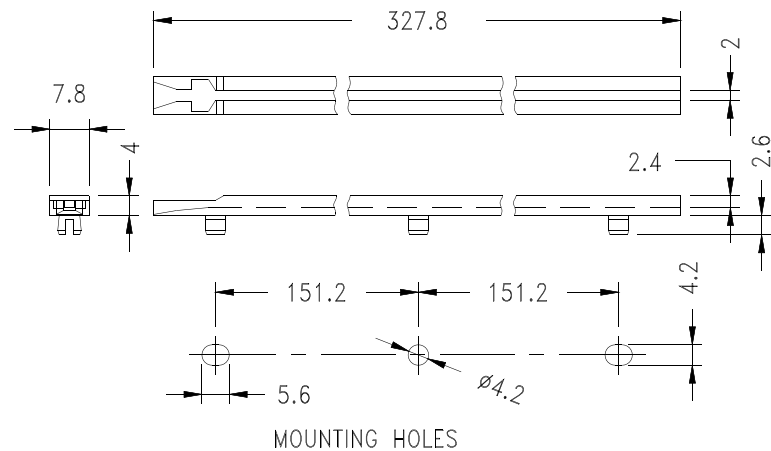
PART NO	PACKAGE
CG-38L	500



PART NO	A	B	C	PACKAGE
CGL-4	38.4	20.0	2.0	500
CGL-8	81.0	60.0	2.5	250



PART NO	PACKAGE
BCG-250	500

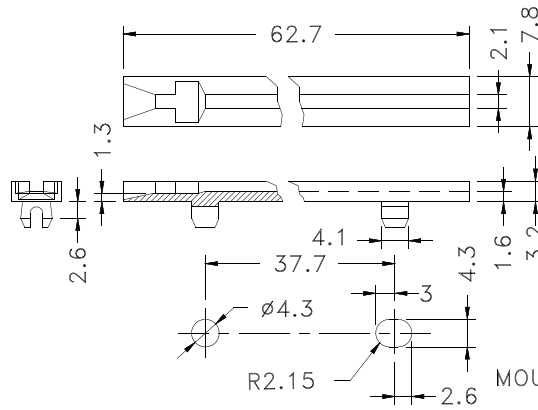


PART NO	PACKAGE
FR-1300	100

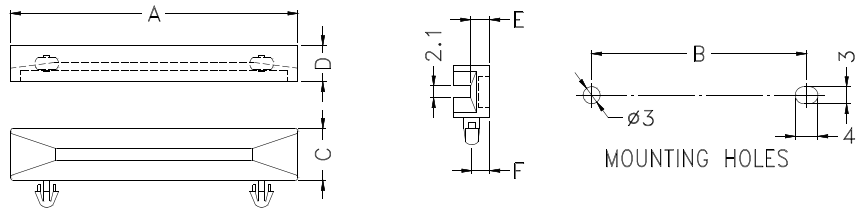
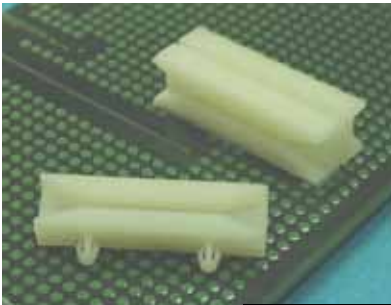
Plastic Fastener - CARD Puller & Guide

Hankook Fastener

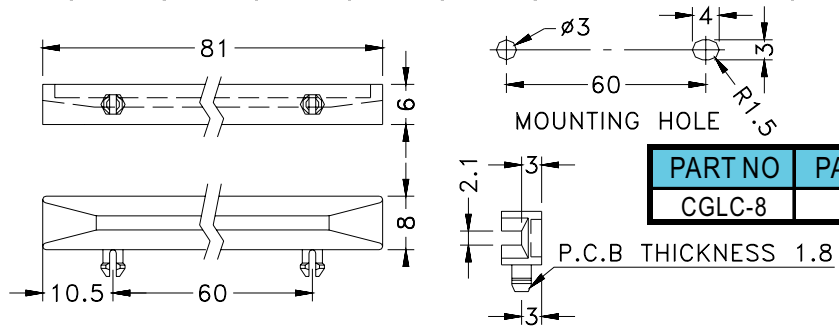
- ◆ MATERIAL: NYLON 66(UL)
- ◆ FLAME CLASS: 94V-2
- ◆ COLOR: RED
- ◆ UNIT: mm



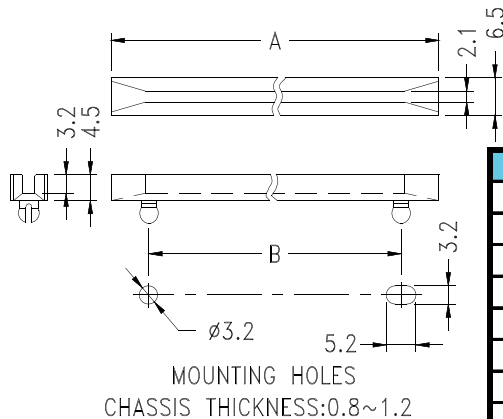
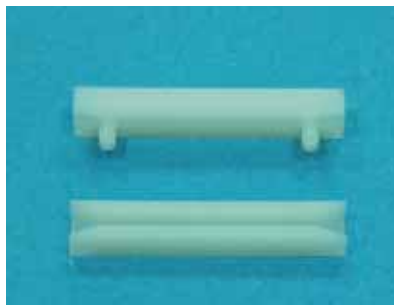
PART NO	PACKAGE
FR-250	500



PART NO	A	B	C	D	E	F	P.C.B THICKNESS	PACKAGE
CGLA-4	38.4	20.0	9.2	6.4	3.4	3.2	1.6~1.7	500
CGLA-4(1)							1.0	
CGLA-4(2)							2.0	
CGLA-4S	40.0		8.0	6.0	3.0	3.0	1.6	
CGLA-6	51.0	38.2	9.2	6.4	3.4	3.2	1.6~1.7	
CGLA-8	81.0	60.0	8.0	6.0	3.0	3.0	1.6~1.8	250
CGLA-8(2)							1.8~2.1	
CGLA-8(8)							1.8	
CGLA-8(25)							2.5	
CGLA-9(1)	91.5	71.0					1.6~1.8	
CGLA-9(2)							1.8~2.1	



PART NO	PACKAGE
CGLC-8	500

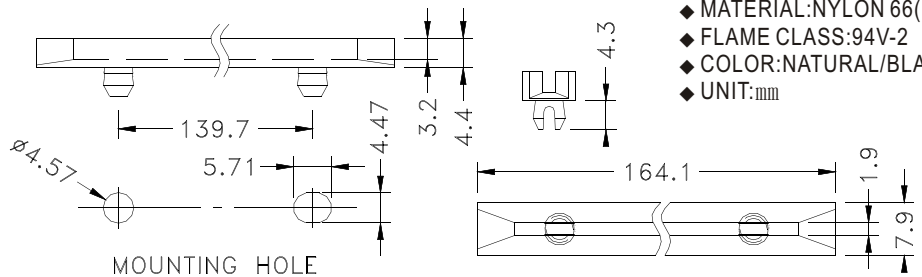


PART NO	A	B	PACKAGE
CG-250	63.5	50.8	500
CG-300	76.2	63.5	500
CG-350	88.9	76.2	250
CG-400	101.6	88.9	250
CG-450	114.3	101.6	200
CG-500	127.0	114.3	200
CG-550	139.7	127.0	200
CG-600	152.4	139.7	200

Plastic Fastener - Card Guide & Puller

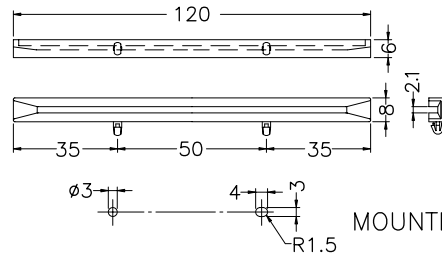
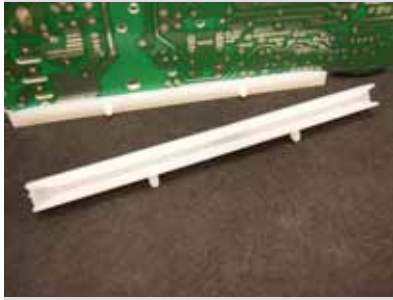
Hankook Fastener

- ◆ MATERIAL: NYLON 66(UL)
- ◆ FLAME CLASS: 94V-2
- ◆ COLOR: NATURAL/BLACK
- ◆ UNIT: mm



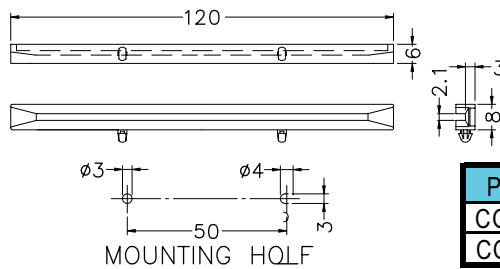
MOUNTING HOLE
PANEL THICKNESS: 1.2~2.3

PART NO	PACKAGE
CG-650	500



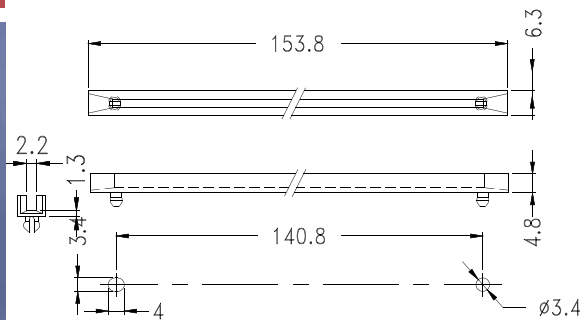
MOUNTING HOLE

PART NO	PACKAGE
CGLB-120	500



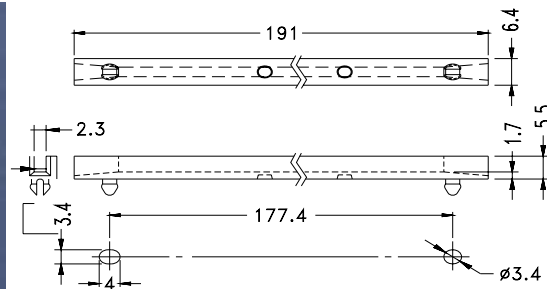
MOUNTING HOLE

PART NO	CHASSIS THICKNESS	PACKAGE
CGLC-120	1.6~1.8	200
CGLC-120S	1.0	



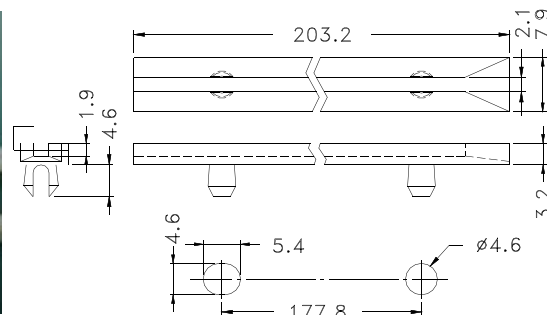
MOUNTING HOLES
CHASSIS THICKNESS 1.2mm

PART NO	PACKAGE
CG-153	100



MOUNTING HOLES
CHASSIS THICKNESS 1.2mm

PART NO	PACKAGE
CG-191	100



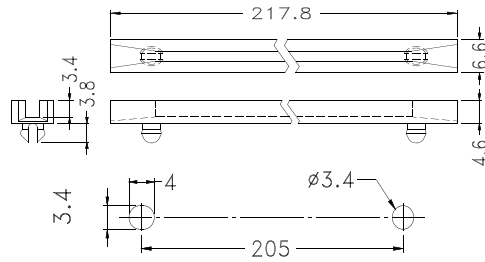
MOUNTING HOLES
CHASSIS THICKNESS 1.2mm

PART NO	PACKAGE
CG-203	100

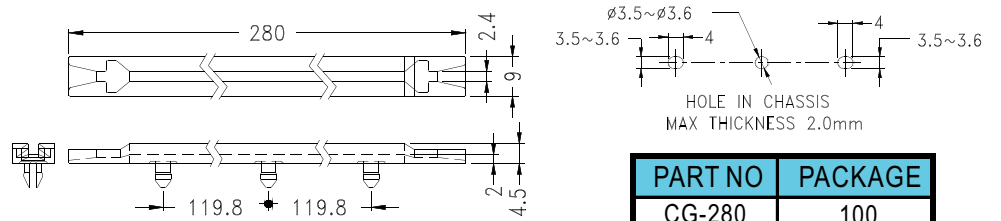
Plastic Fastener - Card Guide & Puller

Hankook Fastener

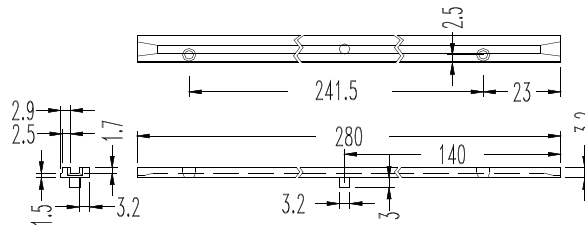
- ◆ MATERIAL: NYLON 66(UL)
- ◆ FLAME CLASS: 94V-2
- ◆ COLOR: NATURAL
- ◆ UNIT: mm



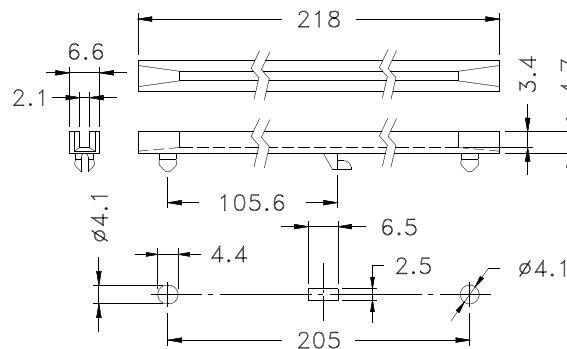
MOUNTING HOLES
CHASSIS THICKNESS 1.2mm



PART NO	PACKAGE
CG-280	100

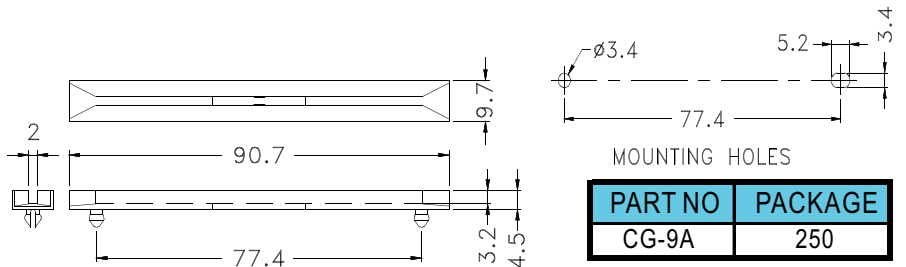


PART NO	PACKAGE
CGS-280	100

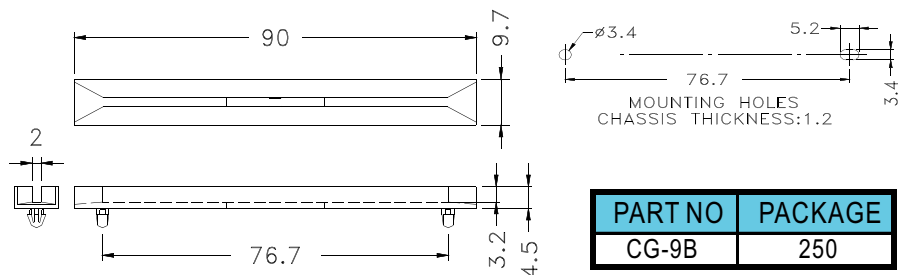


MOUNTING HOLES
CHASSIS THICKNESS: 1.2

PART NO	PACKAGE
CGF-218	100



PART NO	PACKAGE
CG-9A	250



PART NO	PACKAGE
CG-9B	250